

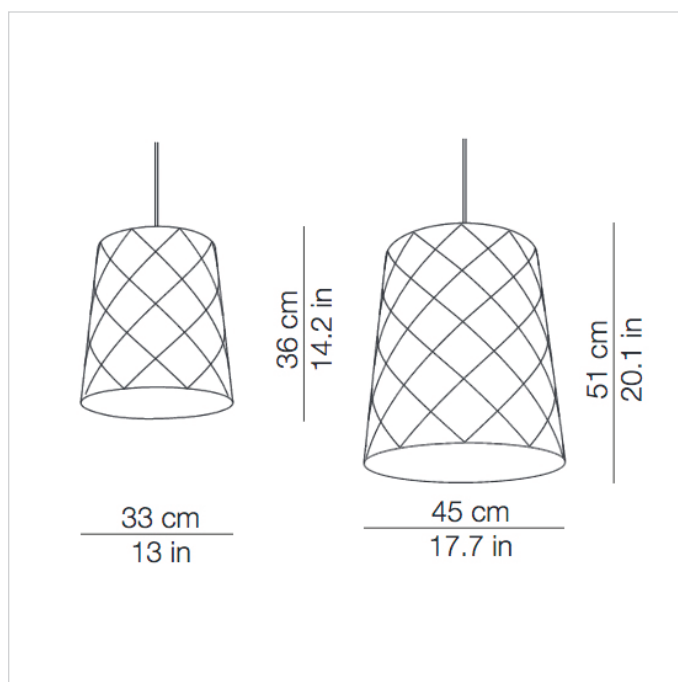


radiantlighting

KUNDALINI

NEW YORK

| | |
|---------------------|---|
| Product name | New York |
| Designer | Peter Jamieson |
| Manufacturer | Kundalini |
| Product code | <p>Ø 34 4-090261MB (White) 4-090261MR (Red) 4-090261MBLED 4-090261MRLED Ø 45 4-090261LB (White) 4-090261LR (Red) 4-090261LBLED 4-090261LRLED</p> |
| Category | Suspension |
| Material | Polycarbonate Steel Structure |
| Light source | <p>Ø 34 Fluorescent 1 x 30W E27 or LED 1 x 16W E2 Ø 45 Fluorescent 3 x 30W E27 or LED 3 x 16W E27</p> |
| Finishes | White Red |
| Dimensions | <p>Ø 34 x 40 (H) cm Ø 45 x 51 (H) cm</p> |
| IP | 20 |
| Origin | Italy |
| Warranty | 2 years |



PERTH

T +61 08 9240 1008
 F +61 08 9240 1178
 E sales@radiantlighting.com.au

SYDNEY

T 1300 438 609
 F 1300 438 610
 E sydney@radiantlighting.com.au

MELBOURNE

T 1300 438 609
 F 1300 438 610
 E melbourne@radiantlighting.com.au

BRISBANE

T 1300 438 609
 F 1300 438 610
 E brisbane@radiantlighting.com.au